



## Diacan<sup>®</sup> Flex

PERIPHERAL SAFETY CATHETER FOR EXTRACORPOREAL  
BLOOD PURIFICATION THERAPIES

# Diacan® Flex

Diacan Flex is a single-use flexible peripheral vascular access safety catheter for extracorporeal blood purification therapies excluding continuous blood purification therapies. Diacan Flex is intended to provide access to arteriovenous fistulas, arteriovenous grafts and veins.

The catheter is inserted into the patient's peripheral vascular system via a cannula. The cannula is then removed while the plastic capillary remains in the vessel. The product is equipped with an incorporated safety shield which automatically covers the needle tip and an inbuilt blood control valve to prevent blood exposure after needle removal.

### Stabilization platform:

Contributes to preventive measures against catheter dislodgement

### Plastic capillary with soft material and side holes:

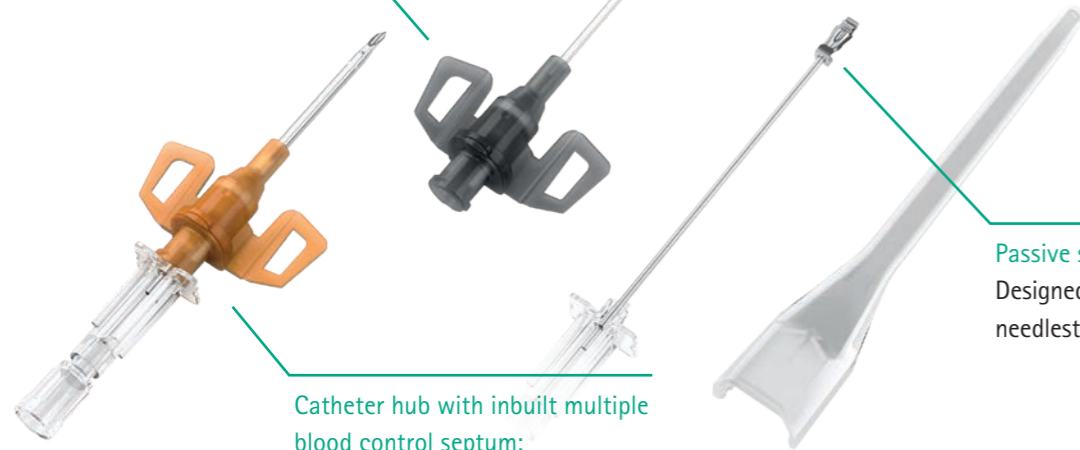
Increased patient comfort and reduced risk of vessel injury with appropriate flow rates

### Passive safety shield:

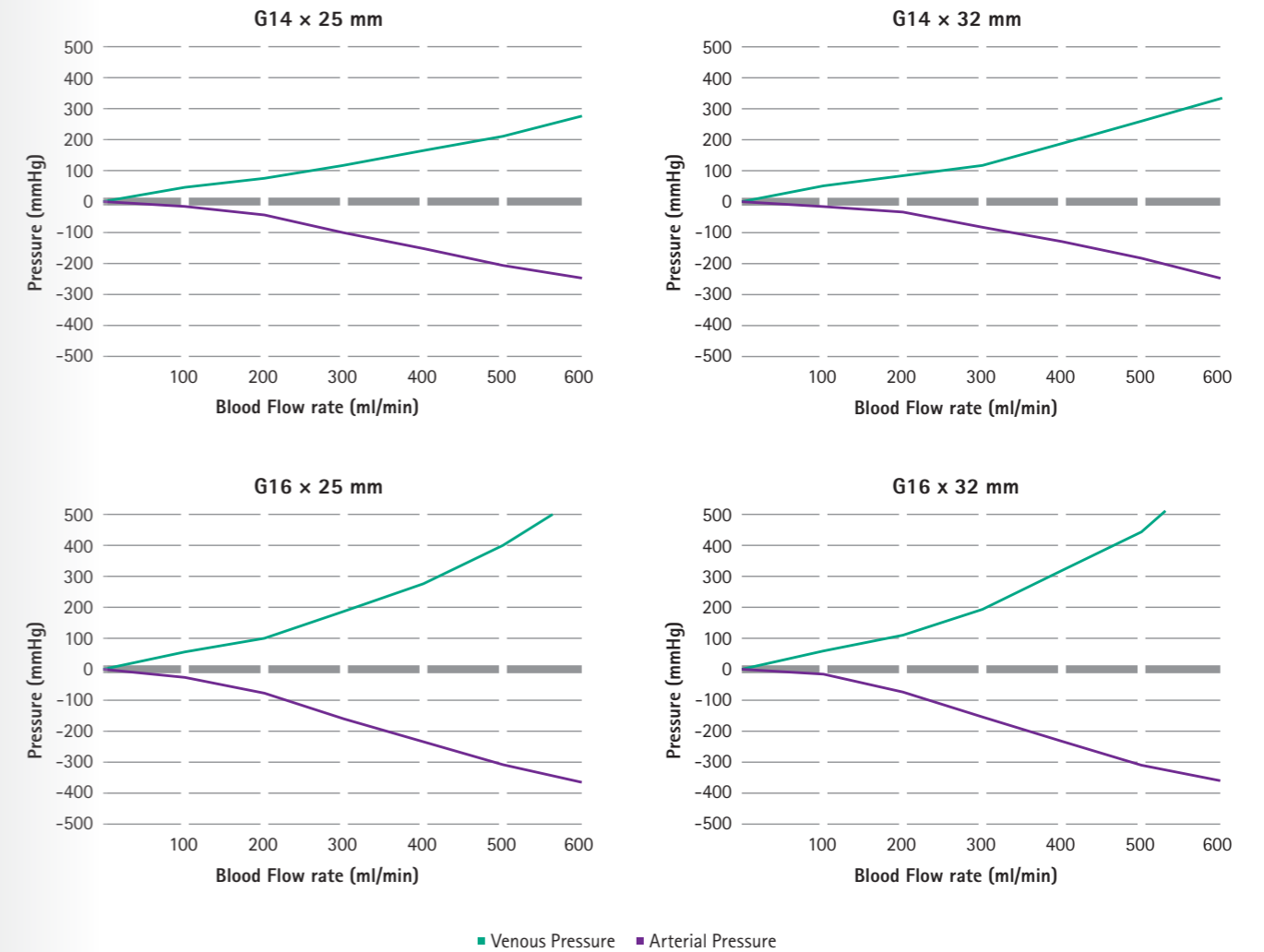
Designed to prevent needlestick injuries

### Catheter hub with inbuilt multiple blood control septum:

Reduced risk of undesired blood exposure



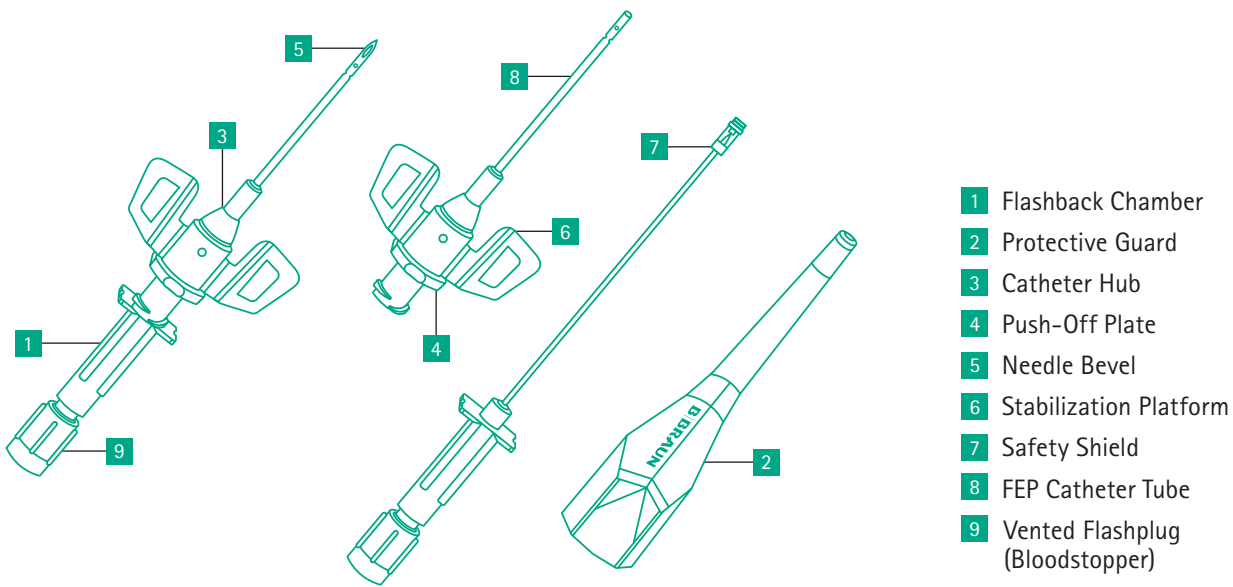
### BLOOD FLOW / PRESSURE DIAGRAM



### PRODUCT PORTFOLIO

Article Number	Article Description	Catheter Length	Catheter Gauge Size	Catheter Hub Color	Dimensions		Packaging	
					Outer Diameter, Catheter	Outer Diameter, Needle	Dispenser Box (MOQ*)	Carton Box
7021425-01	Diacan® Flex 14G 2.2 x 25 mm	25 mm	14 G	■	2.2 mm	1.7 mm	50	200
7021432-01	Diacan® Flex 14G 2.2 x 32 mm	32 mm	14 G	■	2.2 mm	1.7 mm	50	200
7021625-01	Diacan® Flex 16G 1.7 x 25 mm	25 mm	16 G	■	1.7 mm	1.3 mm	50	200
7021632-01	Diacan® Flex 16G 1.7 x 32 mm	32 mm	16 G	■	1.7 mm	1.3 mm	50	200

\* Minimum order quantity



- 1 Flashback Chamber
- 2 Protective Guard
- 3 Catheter Hub
- 4 Push-Off Plate
- 5 Needle Bevel
- 6 Stabilization Platform
- 7 Safety Shield
- 8 FEP Catheter Tube
- 9 Vented Flashplug (Bloodstopper)

## BASIC CHARACTERISTICS

Feature	Remarks
Safety feature	Passive safety shield (spring clip) – self-activating
Stabilization platform (wings for fixation)	Available
Vented flashplug (bloodstopper)	Available
Needle bevel geometry	Universal bevel (back-cut bevel)
Catheter (capillary) hub connection type	Luer lock
Septum (valve)	Luer activated
Sterile	Ethylene oxide
Hypoallergenic	Latex-free, PVC-free, DEHP-free

Component	Material
Protective guard (cap)	Polypropylene
Catheter (capillary) hub	Polypropylene Translucent/gauge color coded
Catheter (capillary) tube with four side holes	FEP, radiopaque material stripes
Needle (cannula) tube	Stainless steel
Needle (cannula) hub	MABS plastic